

Central Brass COMPANY

Date: _____

PARTS BREAKDOWN SHEET

TWO HANDLE SHELF BACK LAVATORY FAUCET



Model #: _____
Specific Features: _____
Project Name: _____
Submitted For: _____
Date: _____

- Two Handle Shelf Back Lavatory Faucet
- Canopy Handles
- Replaceable Seat
- 3-Hole 4" to 6" Installation
- Brass Pop-Up Drain Assembly
- 2.0 GPM Flow Rate

1177-DA
SHOWN



Model #	Features	Finish	
1177-DA		PVD PC	

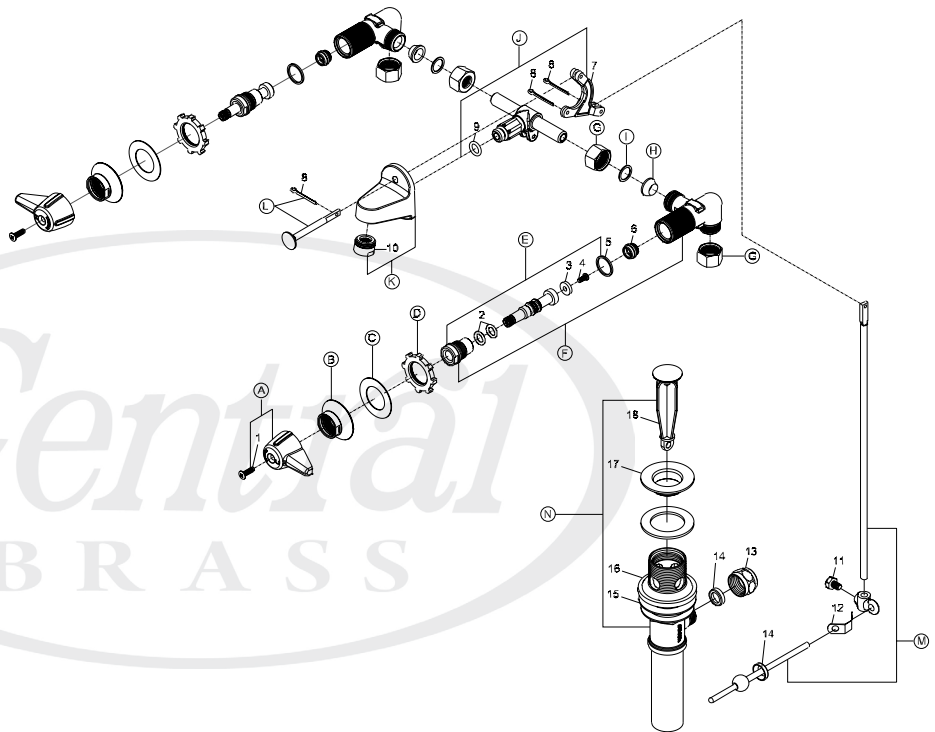
Central Brass products are engineered and manufactured to meet the following standards and codes:

ASME A112.18.1
ANSI A117.1

There are More than 1 Version of this model. Page down to identify the version you have.

For Products Manufactured before 02/2012

ITEM #	DESCRIPTION
A	G-523-C,H Canopy Handle-Cold, Hot
B	510 Escutcheon
C	X491-U Gasket (12 Pcs Per Pack)
D	X53-AZ Locknut (6 Pcs Per Pack)
E	G-458-KR, KL Cold, Hot Stem Assembly
F	U-2170-AR,AL Cold, Hot Corner Valve Body
G	X4015 Coupling Nut (4 Pcs Per Pack)
H	X954-A Rubber Washer (10 Pcs Per pack)
I	X22 Brass Washer (6 Pcs Per Pack)
J	U-2171-A Center Tee with Rocker Arm
K	SU-511-A Shelf Back Spout With Aerator
L	G-21 Pop-Up Rod & Cotter Pin
M	G-195-EBST Lower Pull Rod Group W/ Ball Lever Rod
N	SU-1109 Pop-up Drain less pull rod & bracket
1	X107-F Handle Screw (25 Pcs Per Pack)
2	X1038-453 O-Ring (25 Pcs Per Pack)
3	X901-WNN Seat Washer (25 Pcs Per Pack)
4	X104 Seat Washer Screw (25 Pcs Per Pack)
5	X193-LBN Gasket (25 Pcs Per Pack)
6	XPF-263-B Replacement Seat (4 Pcs Per Pack)
7	2126-A Rocker Arm
8	X194 Cotter Pin (6 Pcs Per Pack)
9	X1038-IN O-Ring (10 Pcs Per Pack)
10	30-L Aerator (Male)
11	X113-P Pop-Up Bracket Screw (6 Pcs Per Pack)
12	X195-C Clip (6 Pcs Per Pack)
13	192-NBB Ball Lever Nut
14	X409-PT Ball Lever Packing (12 Pcs Per Pack)
15	X51-D Washer (10 Pcs Per Pack)
16	X994-1109 Mac Washer (4 Pcs Per Pack)
17	2056-SPT1109 Top Flange
18	G-2115-TP Stopper & Guide



Brecksville, OH
www.centralbrass.com
Central Brass Company © 2012

Central Brass COMPANY

Date: _____

PARTS BREAKDOWN SHEET

TWO HANDLE SHELF BACK LAVATORY FAUCET



Model #: _____
Specific Features: _____
Project Name: _____
Submitted For: _____
Date: _____

- Two Handle Shelf Back Lavatory Faucet
- Canopy Handles
- Replaceable Seat
- 3-Hole 4" to 6" Installation
- Brass Pop-Up Drain Assembly
- 2.0 GPM Flow Rate

1177-DA
SHOWN



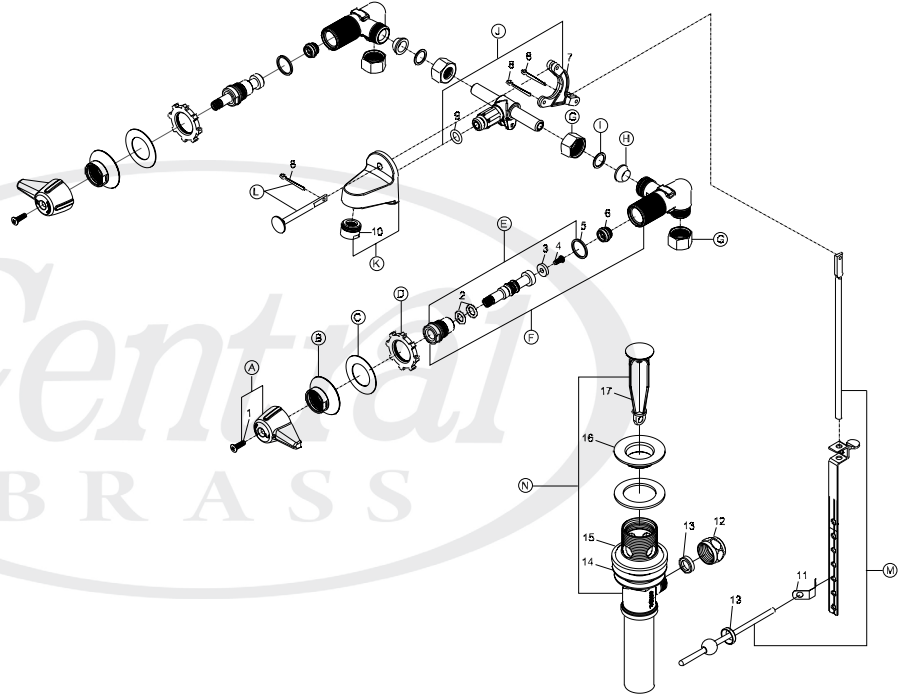
Model #	Features	Finish	
1177-DA		PVD PC	

Central Brass products are engineered and manufactured to meet the following standards and codes:

ASME A112.18.1
ANSI A117.1

For Products Manufactured after 02/2012

ITEM #	DESCRIPTION
A	G-523-C,H Canopy Handle-Cold, Hot
B	510 Escutcheon
C	X491-U Gasket (12 Pcs Per Pack)
D	X53-AZ Locknut (6 Pcs Per Pack)
E	G-458-KR, KL Cold, Hot Stem Assembly
F	U-2170-AR,AL Cold, Hot Corner Valve Body
G	X4015 Coupling Nut (4 Pcs Per Pack)
H	X954-A Rubber Washer (10 Pcs Per Pack)
I	X22 Brass Washer (6 Pcs Per Pack)
J	U-2171-A Center Tee with Rocker Arm
K	SU-511-A Shelf Back Spout With Aerator
L	G-21 Pop-Up Rod & Cotter Pin
M	CS-43008 Lower Pull Rod Group W/ Ball Lever Rod
N	SU-1109 Pop-up Drain less pull rod & bracket
1	X107-F Handle Screw (25 Pcs Per Pack)
2	X1038-453 O-Ring (25 Pcs Per Pack)
3	X901-WNN Seat Washer (25 Pcs Per Pack)
4	X104 Seat Washer Screw (25 Pcs Per Pack)
5	X193-LBN Gasket (25 Pcs Per Pack)
6	XPF-263-B Replacement Seat (4 Pcs Per Pack)
7	2126-A Rocker Arm
8	X194 Cotter Pin (6 Pcs Per Pack)
9	X1038-IN O-Ring (10 Pcs Per Pack)
10	30-L Aerator (Male)
11	X195-C Clip (6 Pcs Per Pack)
12	192-NBB Ball Lever Nut
13	X409-PT Ball Lever Packing (12 Pcs Per Pack)
14	X51-D Washer (10 Pcs Per Pack)
15	X994-1109 Mac Washer (4 Pcs Per Pack)
16	2056-SPT1109 Top Flange
17	G-2115-TP Stopper & Guide



Brecksville, OH
www.centralbrass.com
Central Brass Company © 2012